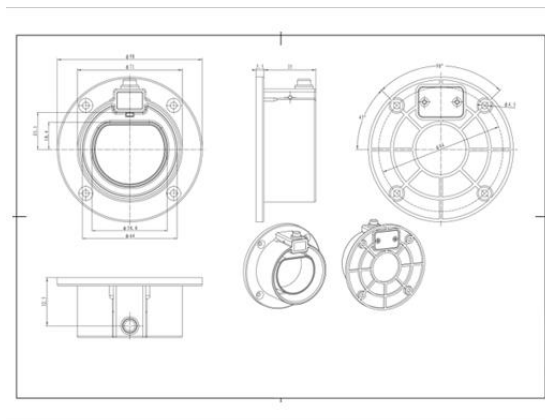


IEC Dummy Socket

Sturdy and Durable
Lot ways to install it.
Could be fixed on the wall or any mounted plate.

Advantage of IEC Dummy Socket

Easy to install, and flexible assembly
Be sold separately
Tie-in-sale with our connectors





AG ELECTRICAL MANUFACTURE FACILITY

Features of IEC Dummy Socket

- The Engineer from AG ELECTRICAL designed IEC Dummy socket according to the real usage scenario in Europe. We want to provide more options to our Europe customers.
- We have two parts of our IEC Dummy socket, including one mount panel and screws (Screws are provided by customers as there are different types of screws). It is conforming to IEC 62196 standard, and will perfectly compatible with our Type 2 Connectors.

Application of IEC Dummy Socket

The major function of IEC Dummy socket is to organize type 2 connectors and cables in a limited space. It will facilitate 5m, 8m even longer cable organizing. It supports out door or in door use. There is a button design on the top of our IEC Dummy socket. It supports easy plug in/ out.